



# MODEL H6190 INDUSTRIAL AIR SCREWDRIVER INSTRUCTION SHEET

<b>⚠ WARNING</b>	
	<b>EYE/EAR INJURY HAZARD!</b> Wear safety glasses and hearing protection during use of this tool!
	<b>INJURY HAZARD!</b> Always disconnect tool from air to prevent unexpected operation during service!
	<b>EXPLOSION HAZARD!</b> Never exceed 90 PSI!



**Figure 1.** Model H6190.

## Introduction

This Air Screwdriver features 1,200 RPM free speed, 3–16 in/lbs maximum torque, 90 PSI, 4 CFM average air consumption, 1/4" NPT air inlet and includes two double ended No. 2 Phillips head drivers and male quick connect fitting.

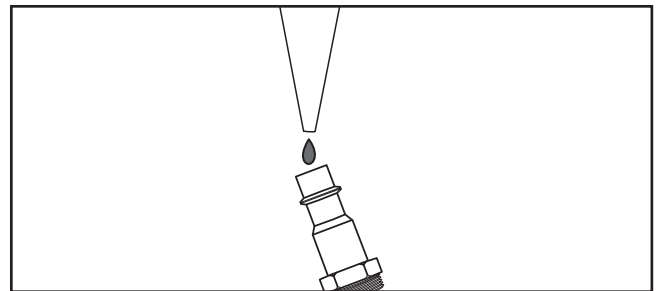
## Inventory

- A. Industrial Air Screwdriver ..... 1
- B. 1/4" NPT Air Fitting..... 1
- C. Phillips Head Drivers..... 2

## Operation

Screw the 1/4" NPT Air Fitting on the air inlet of the screwdriver. Pull the knurled collar back into the screwdriver body and insert the Phillips head driver into the socket. Twist the adjustment dial to set the torque to your desired setting.

This Industrial Air Screwdriver **MUST** have 3-4 drops of oil directly dropped into the air fitting before each use as shown in **Figure 2**.



**Figure 2.** Lubricating directly into air fitting.

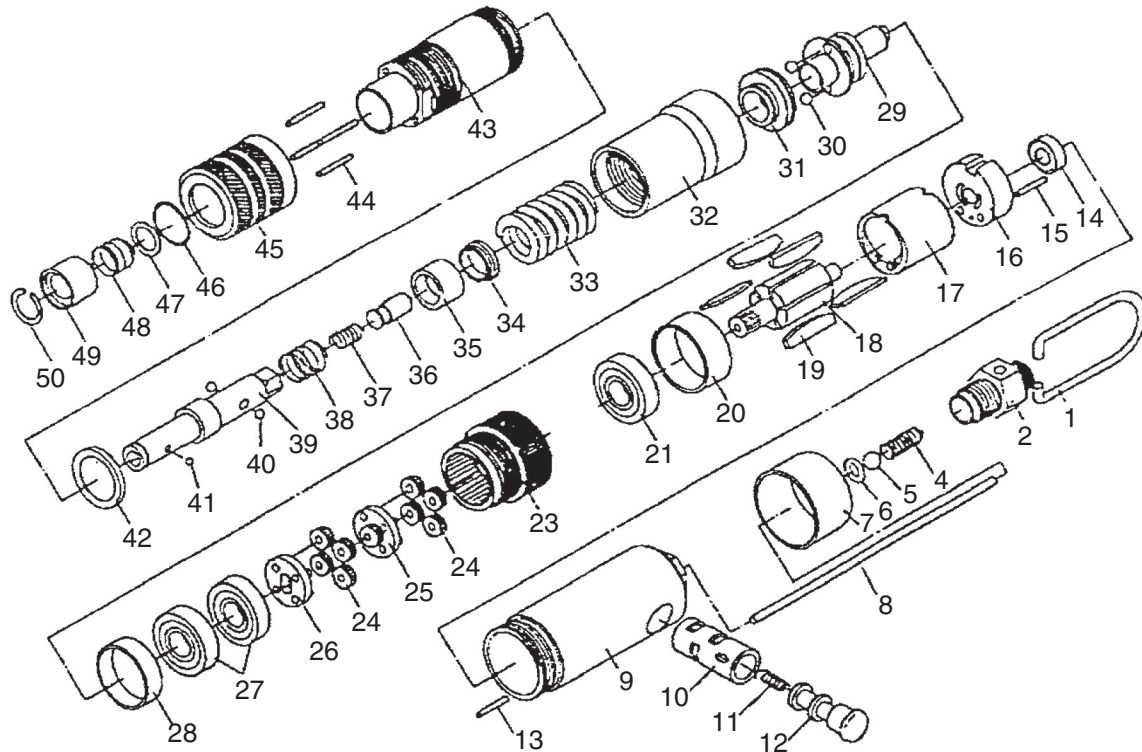
*If you need help with your new pneumatic tool, call our Tech Support at: (570) 546-9663.*

COPYRIGHT © MAY, 2006 BY GRIZZLY INDUSTRIAL, INC.

**WARNING: NO PORTION OF THIS MANUAL MAY BE REPRODUCED IN ANY SHAPE OR FORM WITHOUT THE WRITTEN APPROVAL OF GRIZZLY INDUSTRIAL, INC.**

#PC8257 PRINTED IN TAIWAN

# H6190 Parts Breakdown and List



REF	PART #	DESCRIPTION
1	PH6190001	HANGER
2	PH6190002	INLET BUSHING
4	PH6190004	THROTTLE SPRING
5	PH6190005	VALVE BALL
6	PH6190006	O-RING
7	PH6190007	EXHAUST COVER
8	PH6190008	THROTTLE HANDLE
9	PH6190009	BARREL
10	PH6190010	CHANGE VALVE BUSHING
11	PH6190011	CHANGE VALVE SPRING
12	PH6190012	CHANGE VALVE
13	PH6190013	PIN
14	PH6190014	BEARING
15	PH6190015	PIN
16	PH6190016	END PLATE
17	PH6190017	CYLINDER
18	PH6190018	ROTOR
19	PH6190019	ROTOR BLADE
20	PH6190020	END PLATE
21	PH6190021	BEARING
23	PH6190023	INTERNAL GEAR
24	PH6190024	FREE GEAR
25	PH6190025	GEAR FRAME
26	PH6190026	GEAR FRAME

REF	PART #	DESCRIPTION
27	PH6190027	BEARING
28	PH6190028	BEARING SPACER
29	PH6190029	CLUTCH
30	PH6190030	CAM CLUTCH BALL
31	PH6190031	BALL SEAT
32	PH6190032	GEAR CASE
33	PH6190033	COMPRESSION SPRING
34	PH6190034	SPRING RECEIVER
35	PH6190035	CAM RIDER
36	PH6190036	PILOT SHAFT
37	PH6190037	COMPRESSION SPRING
38	PH6190038	COMPRESSION SPRING
39	PH6190039	SPINDLE
40	PH6190040	CAM RIDER BALL
41	PH6190041	CAM RIDER BALL
42	PH6190042	SPRING RECEIVER
43	PH6190043	CLUTCH COVER
44	PH6190044	PIN
45	PH6190045	ADJUSTABLE DIAL
46	PH6190046	EXT RETAINING RING
47	PH6190047	WASHER
48	PH6190048	COMPRESSION SPRING
49	PH6190049	PIT STOPPER WASHER
50	PH6190050	EXT RETAINING RING